

Lugit

Power Cable Joining System



Ten 47 Limited

Unit 2B Frances Industrial Park
Kirkcaldy, Scotland, UK
KY1 2XZ

Tel: +44 (0)1592 655725

Fax: +44 (0)1592 651049

Email: sales@ten47.com

www.ten47.com

LUGIT - Power Cable Joining System

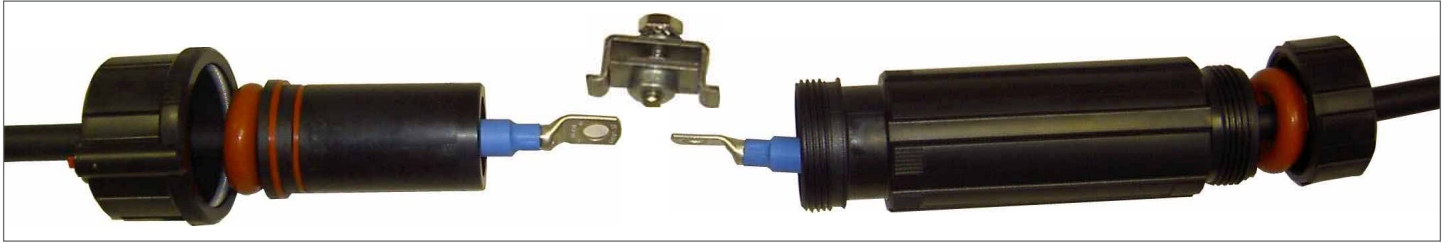
LUGIT is a safe and efficient to make temporary connection/extensions of single core power cables that are pre-terminated with copper lug terminals.



<ul style="list-style-type: none"> • Increase cable utilisation 	<ul style="list-style-type: none"> • 2 Lugit sizes available depending on Lug and cable dimensions
<ul style="list-style-type: none"> • Standardise on cable stock 	<ul style="list-style-type: none"> • From 35mm² up to 120mm²
<ul style="list-style-type: none"> • Decrease cable purchase 	<ul style="list-style-type: none"> • From 150mm² up to 300mm²
<ul style="list-style-type: none"> • Reduce transportation of cables 	<ul style="list-style-type: none"> • Lug palm widths up to 45mm
<ul style="list-style-type: none"> • IP67 Protected when assembled 	<ul style="list-style-type: none"> • External Cable Ø from 14.5 up to 37mm
<ul style="list-style-type: none"> • Operating Voltage: 1000Vac 	<ul style="list-style-type: none"> • Consult Ten 47 if using different Lug sizes and/or cable sizes
<ul style="list-style-type: none"> • Max Current: 660Amp (depending on cable c.s.a and application) 	<ul style="list-style-type: none"> • Assembles in approx. 2 minutes
<ul style="list-style-type: none"> • Voltage to Earth: max 2kv ac / 3kv dc 	<ul style="list-style-type: none"> • No special tools required
<ul style="list-style-type: none"> • Flashover: min 6.8kv ac - 1 minute 	<ul style="list-style-type: none"> • Reusable and Field Installable
<ul style="list-style-type: none"> • Insulation Resistance: >5Mohm @500V dc 	<ul style="list-style-type: none"> • No need for connectors or junction boxes
<ul style="list-style-type: none"> • Voltage Drop: <5mV 	

Assembly Instructions LUGIT 35/120

- Assemble the components over the 2 cables to be joined as shown below.



- Connect the Lugs into the centre joining block and tighten with a spanner.



- Slide the Inner sleeve towards the joined cables and then slide the Lugit body over the inner sleeve. This keeps the joined cables positioned in the centre of the Lugit body. Position each of the sealing donuts and tighten the rear backnuts.



- Using the remote locking/release key, turn the "red" locknut clockwise to lock and secure the Lugit. Turn anti-clockwise to unlock the Lugit to allow removal from the cables.



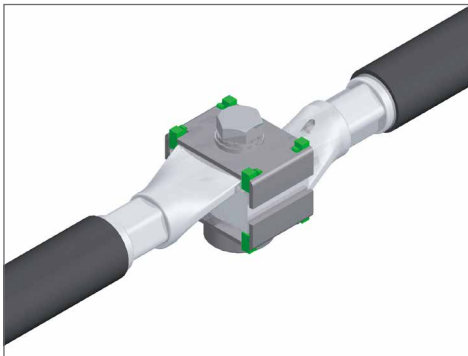
Item	Part Number
LUGIT UNIT	LUGIT 35/120
Green Band	LCB-GN
Blue Band	LCB-BU
Brown Band	LCB-BR
Black Band	LCB-BK
Grey Band	LCB-GY
Locking / Release Key	REM-LK
Lug Palm Width / Bolt Hole	30mm max / 10mm or 12mm
External Cable Ø	14.5mm – 25mm

Assembly Instructions LUGIT 185/300

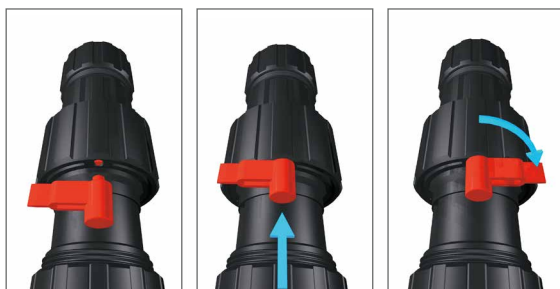
- Assemble the components over the Lugs and onto the Cables.



- Connect the Lugs into the joining block and tighten with a spanner.
- Ensure the Backshell Keys are correctly positioned to mate with each other.
- Rotate the central locking ring until locks into the mated position, then tighten both backnuts.



- Lock the Central Locking Ring using the remote locking / release key.



- Fit Coloured identification bands if required.

Item	Part Number
LUGIT UNIT	LUGIT 185/300
Green Band	LCB-GN
Blue Band	LCB-BU
Brown Band	LCB-BR
Black Band	LCB-BK
Grey Band	LCB-GY
Locking / Release Key	REM-LK
Lug Palm Width / Bolt Hole	45mm max / 12mm
External Cable Ø	20mm – 37mm

Also available from Ten 47



High Quality, Durable
Cable Protection Systems

www.cableguard.eu



 **RENNSTEIG**

Cable and Connector tooling

www.ten47.com/products/temporary-power/rennsteig-tools



Ten 47 Limited

Unit 2B Frances Industrial Park
Kirkcaldy, Scotland, UK
KY1 2XZ

Tel: +44 (0)1592 655725

Fax: +44 (0)1592 651049

Email: sales@ten47.com

www.ten47.com