

# Vanten

250 and 400 Amp Keyed  
Single Pole Connectors



## Ten 47 Limited

Unit 2B Frances Industrial Park  
Kirkcaldy, Scotland, UK  
KY1 2XZ

Tel: +44 (0)1592 655725

Fax: +44 (0)1592 651049

Email: [sales@ten47.com](mailto:sales@ten47.com)

[www.ten47.com](http://www.ten47.com)

## Vanten 250 and 400 Amp Keyed Single Pole Connectors



VTCP

VTPF

VTPM

VTCF

### Features and Benefits

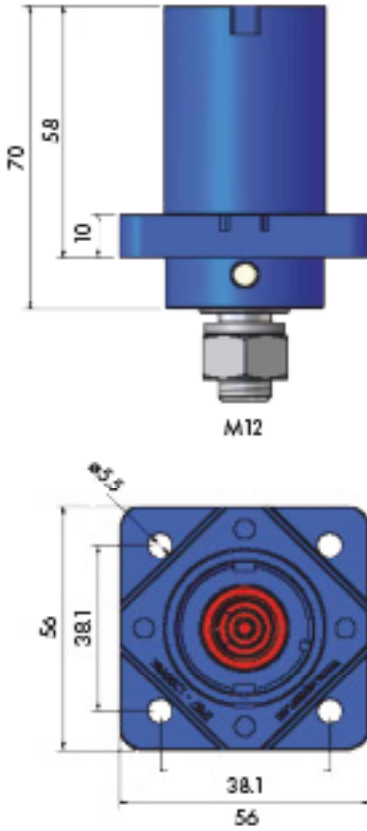
- KSPC: Keyed Single Pole Connectors to EN 61984, IEC 60529 and BS7909\*.
- IP2X: Finger Protection on Male and Female contacts.
- Colour Coded and mechanically Keyed to prevent connection errors.
- UL94-V0 Rated.
- Cable range from 16mm<sup>2</sup> to 120mm<sup>2</sup> (4/0AWG).
- Multi louver contact system.
- Reduced flange size option.
- No special tools for assembly or disconnection.
- Spring Locking action.
- CE compliant.

\*where applicable

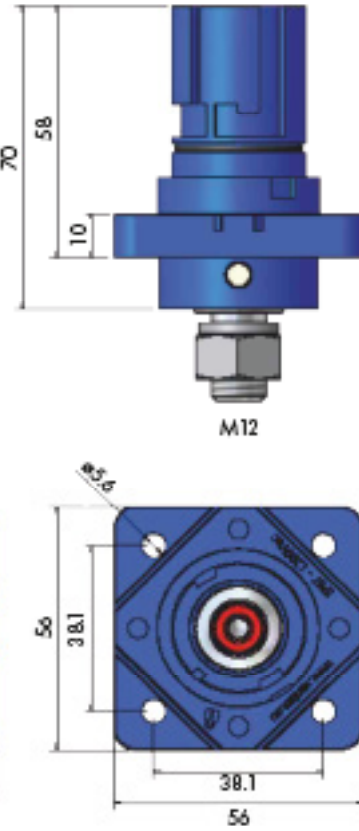


# Connectors Dimensions

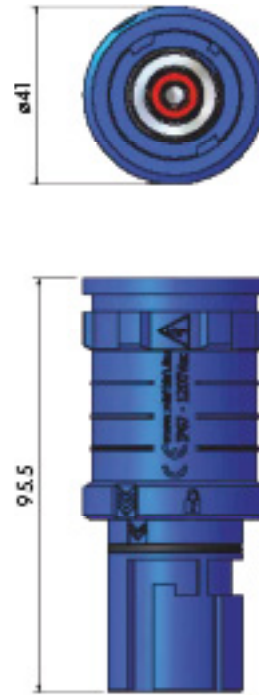
**Panel Female  
VTPF**



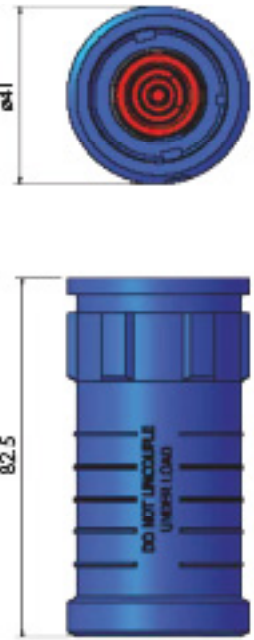
**Panel Male  
VTPM**



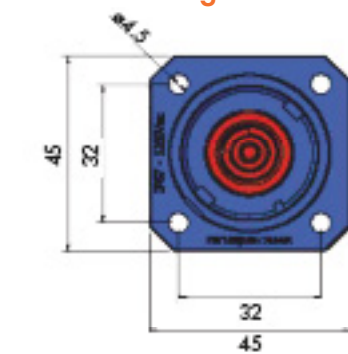
**Cable Male  
VTCM**



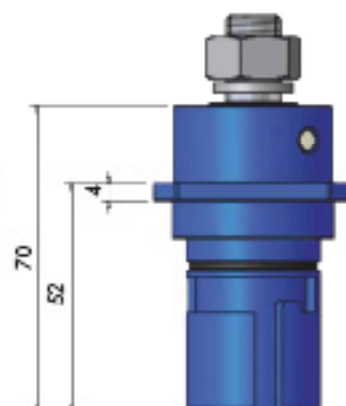
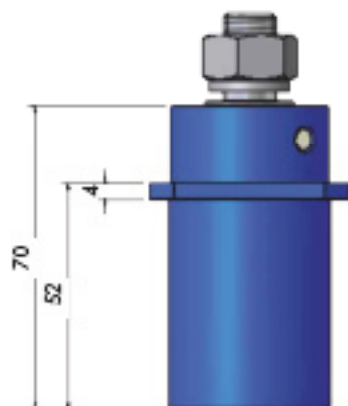
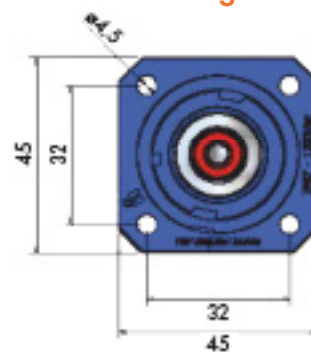
**Cable Female  
VTCF**



**Panel Female VTPF  
Reduced Flange**

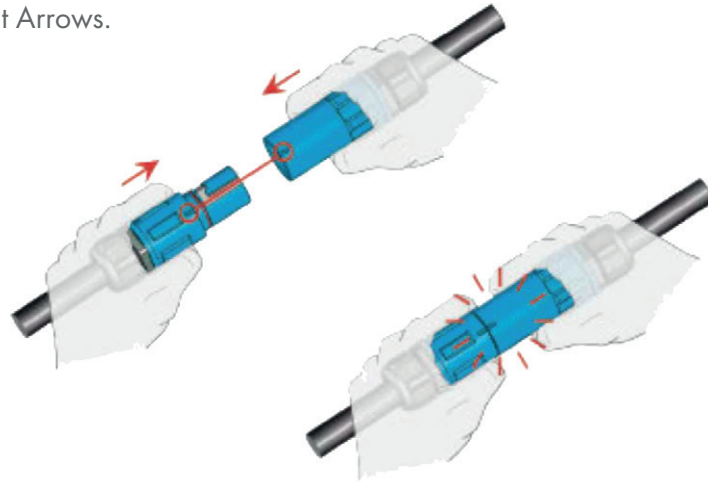


**Panel Male VTPM  
Reduced Flange**



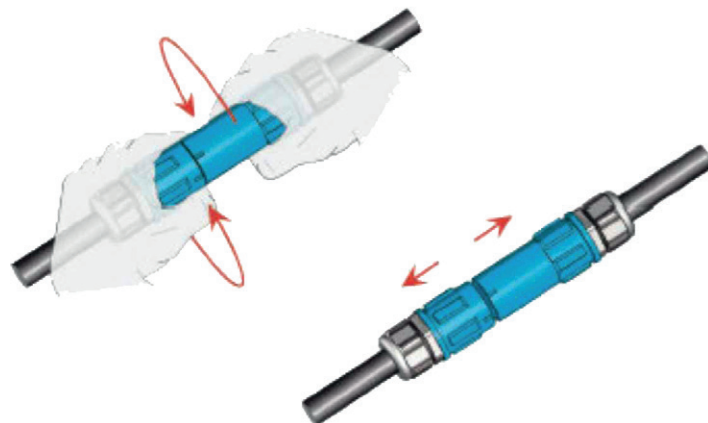
# Vanten 400 Amp Keyed Single Pole Connectors

Position Major Key Alignment Arrows.



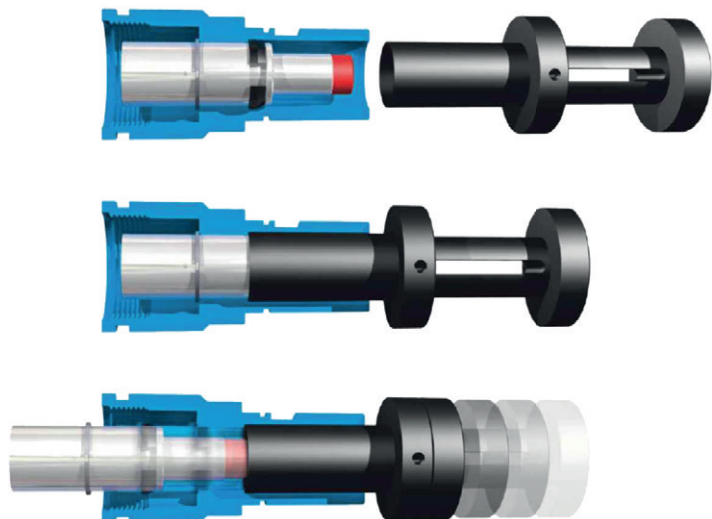
Firmly push the Male and Female Connectors together.

Rotate the Male and Female connectors in opposite directions until the Padlock symbol is in alignment with the Arrow symbol.



Release the connectors and they Spring into the Locked position. To un-lock, push the connectors firmly together, rotate in opposite directions and pull apart.

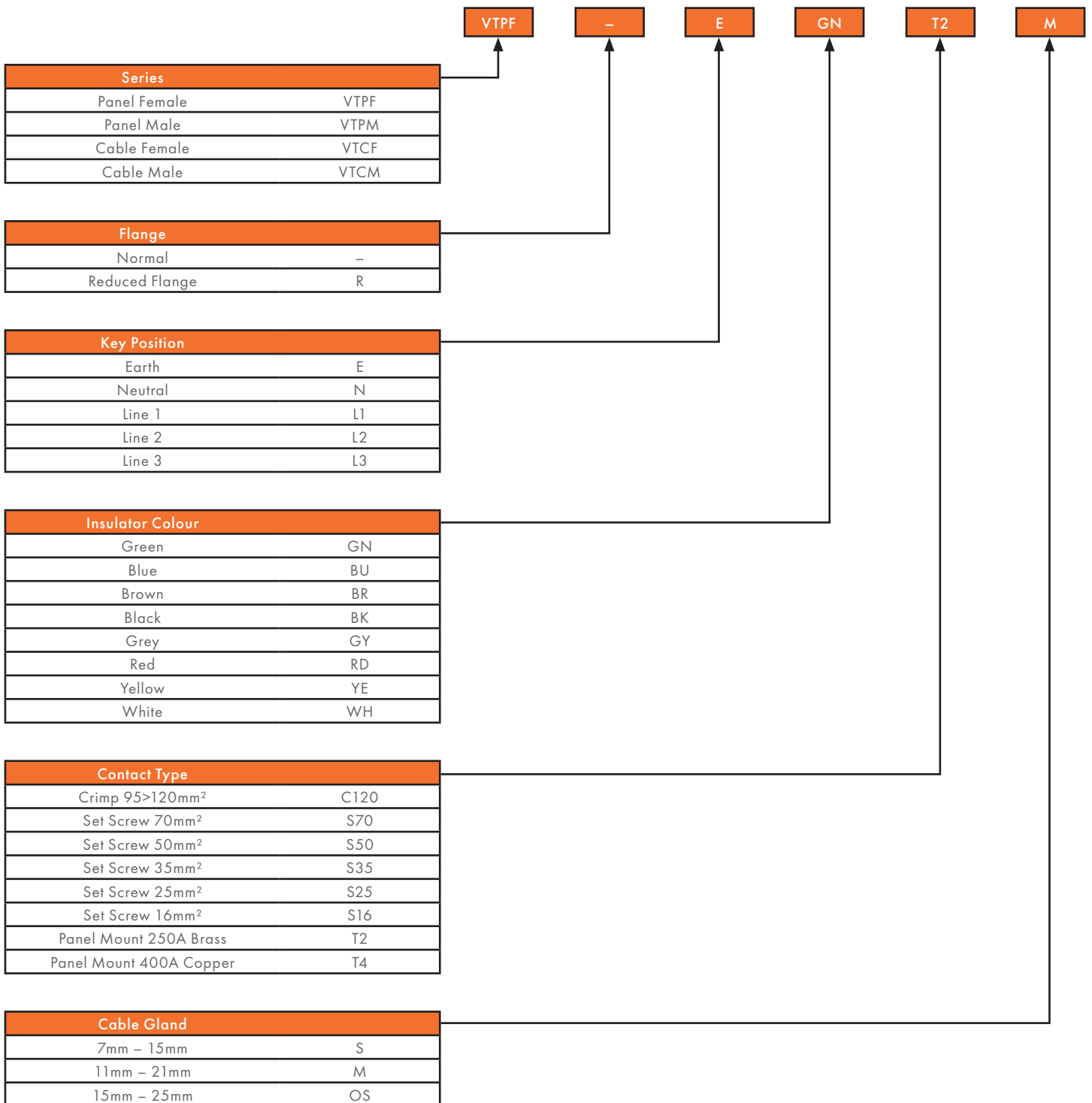
## Contact Removal



Contact Release Tool.  
Part Number: REM-VT

Insert the Contact Release Tool into the front face of the connector. This releases the internal locking clip. Push home the plunger and the contact is released from the rear of the connector.

# Part Number Configuration



	Earth	Neutral	Line 1	Line 2	Line 3
UK & Europe	Green	Blue	Brown	Black	Grey
USA	Green	White	Black	Red	Blue
Australia	Green	Black	Red	White	Blue

## Connector Parameters

Characteristics	
Insulation	1250V
Maximum Panel Thickness to Guarantee Insulation	6mm
Panel Contact Tightening Torque	30Nm Max
Contact Retention in Insulator	400N axial load
Inline Contact Retention	Plastic Clip
Panel Mount Contact Retention	Dowel Pin
Contact Release	Front
M32 Clamping Range	7mm ÷ 25mm
Flammability	UL94 V0
Environmental Sealing (when mated)	IP67
Connector Protection (unmated)	IP2X
Rated Voltage to Earth	1750VAC, panel thickness<4mm 1250VAC, panel thickness>4mm
Contact Resistance	<0.1mOhms
Short Circuit Current – 1 second	11KA
Short Circuit Current – 3 seconds	4KA
Surge Current (din VDE 0102/1.90)	45KA – 10 mseconds
Temperature Range	-30°C / +125°C

Also available from Ten 47



High Quality, Durable  
Cable Protection Systems

[www.cableguard.eu](http://www.cableguard.eu)



 **RENNSTEIG**

Cable and Connector tooling

[www.ten47.com/products/temporary-power/rennsteig-tools](http://www.ten47.com/products/temporary-power/rennsteig-tools)



**Ten 47 Limited**

Unit 2B Frances Industrial Park  
Kirkcaldy, Scotland, UK  
KY1 2XZ

Tel: +44 (0)1592 655725

Fax: +44 (0)1592 651049

Email: [sales@ten47.com](mailto:sales@ten47.com)

[www.ten47.com](http://www.ten47.com)