



Showline

19 Pin Socapex
Compatible Connectors



Introduction

Showline 19 Pin Socapex Compatible Connectors

Features and benefits:

- Stepped inserts to provide first make, last break earth connections as standard.
- Proprietary 6-circuit lighting connectors feature 12 interlocking keys to help prevent spinning of the interior within the male and female housing.
- Prevents misalignment of male and female circuit conductors and unmateable or mismatched connections.
- Helps prevent broken conductors and loose or damaged ground rings.
- Multi-cables carry 6-circuits of lighting power inside a single jacket, avoiding six individual runs of cable.
- “Tempered Spring” female contacts maintain constant pin pressure to help ensure low resistance connections.
- Machined aluminum housing with a hard wearing black finish provides enhanced durability.
- Silver plated brass contacts provide high conductivity.
- Available as standard for 1.5mm and 2.5mm cable to meet specific requirements.
- All black construction blends into scenery and is ideal for stage or studio lighting applications.



19 Pin Socapex Compatible Connectors

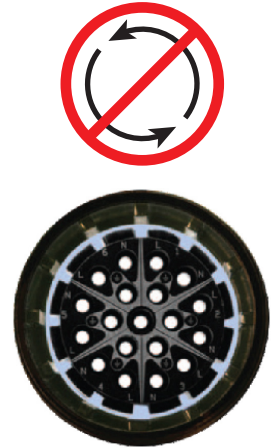
Higher Rating

- Ten 47 SHL Connectors are rated 23 Amps, 600 VAC.
- Each circuit can carry up to a maximum of 23 Amps continuous load.
- Interiors are clearly and permanently marked on front and back for ease of wiring and circuit identification.

No more spinning interiors

Ten 47 proprietary anti-rotation design features 12 interlocking keys to help prevent the spinning of an interior within a connector's male or female housing. The SHL connectors help to eliminate this long standing industry problem, while delivering enhanced safety and durability. The connector design helps lower maintenance requirements and total cost of ownership.

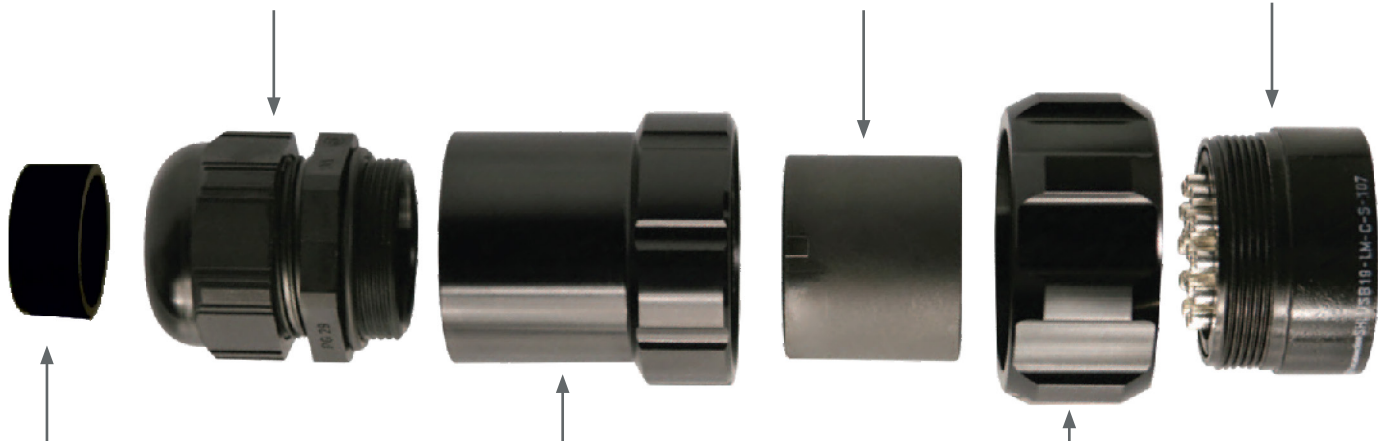
- Helps eliminate broken conductors and loose or damaged ground rings.
- Prevents misalignment of male and female circuit conductors.



Strain Relief/Sealing Gland helps prevent strain on wire terminations and seals cable entry from ingress of contaminants.

Thermoplastic Insulating Sleeve helps prevent stray wire strands from potentially energizing the housing for added safety.

Flexible High Temperature Interior is heat and impact resistant and aids in aligning male and female contacts.



Rubber Sleeve for 19mm–28mm cable entry.

Machined Aluminum Housing with hard black wearing finish provides enhanced durability. Precision machine threads provide ease of mating.

Ribbed Coupling Ring's precision machine threads provide ease of mating and long life.



Grounding Rings

A recessed area in the interior accepts the grounding rings, allowing the ground conductors in multi-cable to be bonded. Extended grounding contacts provide First Make Last Break Connection.



"Tempered Spring" Female Contacts maintain constant pressure over the life of the device and help ensure low resistance connections. Silver plated brass contacts allow for high conductivity.

Machined Aluminum 6-Circuit Connectors



Male
Inline

Female
Inline

Male Panel
Mount

Female Panel
Mount

Spider Version
Male Inline

Ordering Information

Style	Male Inline	Female Inline	Cable Diameter Range	Male Panel Mount	Female Panel Mount
Crimp M40	SHLB19-LM-C-M40-S-014-S	SHLB19-LF-C-M40-S-014-S	15-28 mm	SHLB19-PM-C-S	SHLB19-PF-C-S
Solder M40	SHLB19-LM-S-M40-S-014-S	SHLB19-LF-S-M40-S-014-S	15-28 mm	SHLB19-PM-S-S	SHLB19-PF-S-S
M40 O/S Version large entry - crimp	SHLB19-LM-C-M40-S-014-O/S	SHLB19-LF-C-M40-S-014-O/S	26-32 mm	N/A	N/A
M40 O/S Version large entry - solder	SHLB19-LM-S-M40-S-014-O/S	SHLB19-LF-S-M40-S-014-O/S	26-32 mm	N/A	N/A
Spider Version (Fan-In/Fan-Out) crimp contact *	SHLB19-LM-C-SPR10-S	SHLB19-LF-C-SPR10-S	* See Below	N/A	N/A
Spider Version (Fan-In/Fan-Out) solder contact*	SHLB19-LM-S-SPR10-S	SHLB19-LF-S-SPR10-S	* See Below	N/A	N/A
Spider Version (Fan-In/Fan-Out) crimp contact**	SHLB19-LM-C-SPR12-S	SHLB19-LF-C-SPR12-S	** See Below	N/A	N/A
Spider Version (Fan-In/Fan-Out) solder contact**	SHLB19-LM-S-SPR12-S	SHLB19-LF-S-SPR12-S	** See Below	N/A	N/A

* - for 3core HO7 1.5mm cable

** - for 3core HO7 2.5mm cable

Accessories

Grounding Rings

SHL-GR-Silver



Crimp Contact Insertion Tool

CTIN-784-12



Crimp Tool and Turret

8780 0004 61



Crimp Contact Removal Tool

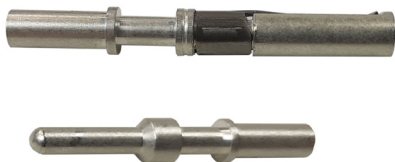
CTES-784-SHL



Replacement Contacts

Crimp: Female SHL-SC/Male SHL-PC

Solder: Female SHL-SS/Male SHL-PS



Rubber Sleeve

For 19mm-28mm cable entry

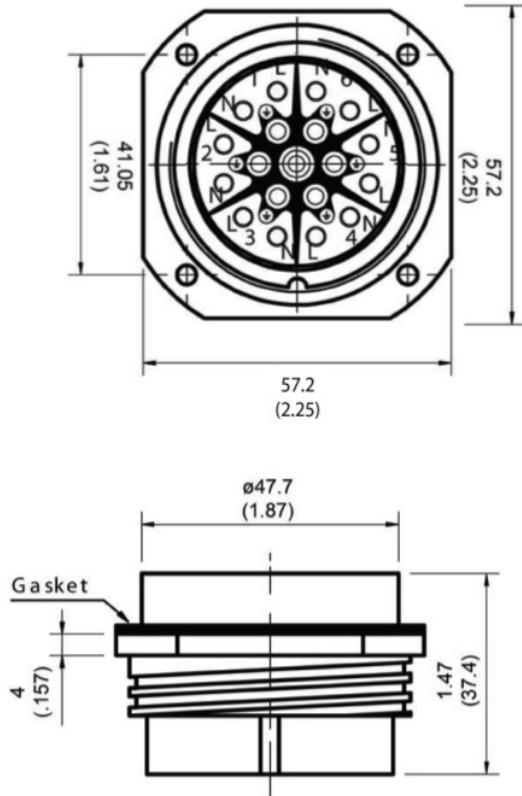
M40 Sealing ring

Supplied with Standard M40 male and female connectors.

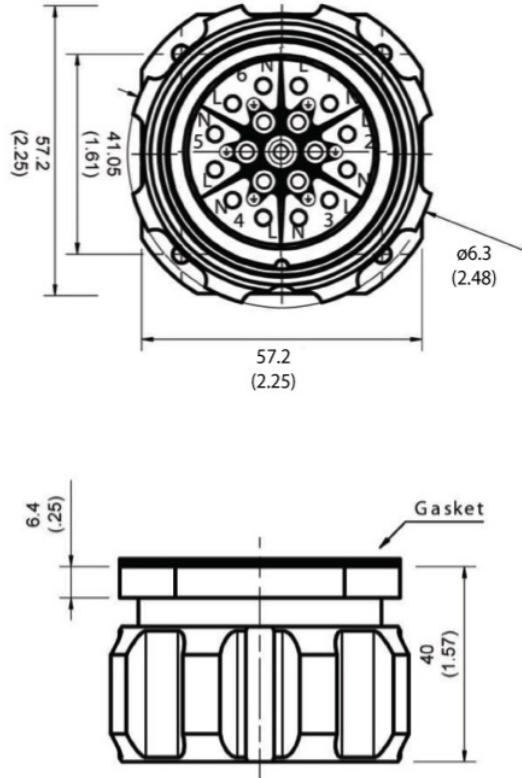


Connector Arrangement

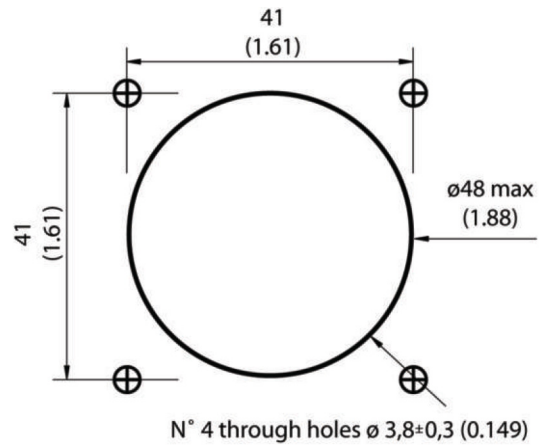
Female Panel Mount



Male Panel Mount



Panel Cut Out



Specifications	
Current Rating	23 Amps
Voltage Rating	600 VAC Max
Operating Temp	-55°C / +60°C
Ingress Protection	IP67 watertight when mated
Shells	Machined Aluminium
Finish	Hard Wearing Black
Insert	Silicone
Cable Entry	Standard M40 – 15–23mm M40 O/S – 26–32mm
Conductor Size	Standard 1.5 mm/2.5 mm
Contacts	Silver plated Brass



Unit 2B Frances Industrial Park
Kirkcaldy, Scotland, UK
KY1 2XZ

Tel: +44 (0)1592 655725
Email: sales@ten47.com

www.ten47.com