

Cineline

“HMI” Connectors



Introduction

Cineline "HMI" Connectors

Cineline HMI connectors incorporate features that ensure high quality, extreme durability and safe connection between HMI Ballasts and Lamps. The range includes connectors compatible with all major HMI lamp manufacturer specifications from 200W to 24kW.

Design features:

- Machined Alloy coupling ring with double thickness wall sections for increased strength and impact resistance.
- Machined backshell with increased wall sections.
- Extended backshell length to ease wiring operations.
- Extended length coupling rings for extra handgrip and additional protection.
- Identification Marking / Colour coding.
- IP67 sealed when mated.
- First Make Last Break Earth contacts.
- Roller Coupling studs to ease mating connectors.
- Integral grounding system.



Please refer to pages 3 - 7 for connector part numbers and assembly tools.

Contact us to discuss price and delivery for any "HMI" Cable Assemblies.

K5600 Alpha 6/9kW
HMI Lamp



BCH26-28A-9S-T



Power Gems
24kW/18kW/12kW
Ballast



Standard Part Number by Manufacturer

Lamp Manufacturer	Output	Type	Ordering code
ARRI / FILMGEAR	400W/800W	LINE MALE	BCH06-14SA-7P-M09
		LINE FEMALE	BCH01-14SA-7S-M09
		PANEL FEMALE	BCH02-14SA-7S
		PANEL MALE	BCH26-14SA-7P
K5600	200W/400W/800W	LINE MALE	BCH06-14SA-7P-M09
		LINE FEMALE	BCH01-14SA-7S-M09
		PANEL FEMALE	BCH02-14SA-7S
		PANEL MALE	BCH26-14SA-7P
ARRI / FILMGEAR	575W/1.2kW/1.8kW	LINE MALE	BCH06-24-2PW(21)-T
		LINE FEMALE	BCH01-24-2SW(21)-T
		PANEL FEMALE	BCH02-24-2SW-T
		PANEL MALE	BCH26-24-2PW-T
DESISTI / QUARTZCOLOR MOLE RICHARDSON	575W	LINE MALE	BCH06-24-2PZ(21)-T
		LINE FEMALE	BCH01-24-2SZ(21)-T
		PANEL FEMALE	BCH02-24-2SZ-T
		PANEL MALE	BCH26-24-2PZ-T
QUARTZCOLOR	1.2kW	LINE MALE	BCH06-24-2PW(21)
		LINE FEMALE	BCH01-24-2SW(21)
		PANEL FEMALE	BCH02-24-2SW
		PANEL MALE	BCH26-24-2PW
CINEMILLS / DESISTI MOLE RICHARDSON	1.2kW	LINE MALE	BCH06-24-2PW(21)-T
		LINE FEMALE	BCH01-24-2SW(21)-T
		PANEL FEMALE	BCH02-24-2SW-T
		PANEL MALE	BCH26-24-2PW-T
K5600	1.6kW	LINE MALE	BCH06-20-4P(21)T-013
		LINE FEMALE	BCH01-20-4S(21)T-013
		PANEL FEMALE	BCH02-20-4S-T-013
		PANEL MALE	BCH26-20-4P-013
ARRI / FILMGEAR / K5600	2.5kW/4kW	LINE MALE	BCH06-24-2P(21)-T
		LINE FEMALE	BCH01-24-2S(21)-T
		PANEL FEMALE	BCH02-24-2S-T
		PANEL MALE	BCH26-24-2P-T
DESISTI / QUARTZCOLOR MOLE RICHARDSON	2.5kW	LINE MALE	BCH06-24-2P(21)-T
		LINE FEMALE	BCH01-24-2S(21)-T
		PANEL FEMALE	BCH02-24-2S-T
		PANEL MALE	BCH26-24-2P-T
DESISTI / QUARTZCOLOR MOLE RICHARDSON	4kW	LINE MALE	BCH06-24-11P(21)-T
		LINE FEMALE	BCH01-24-11S(21)-T
		PANEL FEMALE	BCH02-24-11S-T
		PANEL MALE	BCH26-24-11P-T



Standard Part Number by Manufacturer

Lamp Manufacturer	Output	Type	Ordering code
ARRI / FILMGEAR / K5600	6/9kW	LINE MALE	BCH01-28-22P(29)-T
		LINE FEMALE	BCH06-28-22S(29)-T
		PANEL FEMALE	BCH26-28-22S-T
		PANEL MALE	BCH02-28-22P-T
CINEMILLS MOLE RICHARDSON QUARTZCOLOR	6kW	LINE MALE	BCH06-32-68P(29)-T
		LINE FEMALE	BCH01-32-68S(29)-T
		PANEL FEMALE	BCH02-32-68S-T
		PANEL MALE	BCH26-32-68P-T
DESISTI	6kW/12kW/18kW	LINE MALE	BCH06-32A-9P(29)-T
		LINE FEMALE	BCH01-32A-9S(29)-T
		PANEL FEMALE	BCH02-32A-9S-T
		PANEL MALE	BCH26-32A-9P-T
CINEMILLS	12kW	LINE MALE	BCH06-28-10P(20SC)-T
		LINE FEMALE	BCH01-28-10S(20SC)-T
		PANEL FEMALE	BCH02-28-10S-T
		PANEL MALE	BCH26-28-10P-T
MOLE RICHARDSON	12kW/18kW/24kW	LINE MALE	BCH06-28-10P(20SC)-T
		LINE FEMALE	BCH01-28-10S(20SC)-T
		PANEL FEMALE	BCH02-28-10S-T
		PANEL MALE	BCH26-28-10P-T
QUARTZCOLOR	12/18kW	LINE MALE	BCH06-40A-10P(29)-T
		LINE FEMALE	BCH01-40A-10S(29)-T
		PANEL FEMALE	BCH02-40A-10S-T
		PANEL MALE	BCH26-40A-10P-T
K5600	18kW	LINE MALE	BCH01-28A-9P(29)-T
		LINE FEMALE	BCH06-28A-9S(29)-T
		PANEL FEMALE	BCH26-28A-9S-T
		PANEL MALE	BCH02-28A-9P-T
ARRI / FILMGEAR	12kW/18kW/24kW	LINE MALE	BCH01-28A-9P(29)-T
		LINE FEMALE	BCH06-28A-9S(29)-T
		PANEL FEMALE	BCH26-28A-9S-T
		PANEL MALE	BCH02-28A-9P-T

* Connectors for other lamp manufacturers not listed above are also available. Please consult sales office for further information.

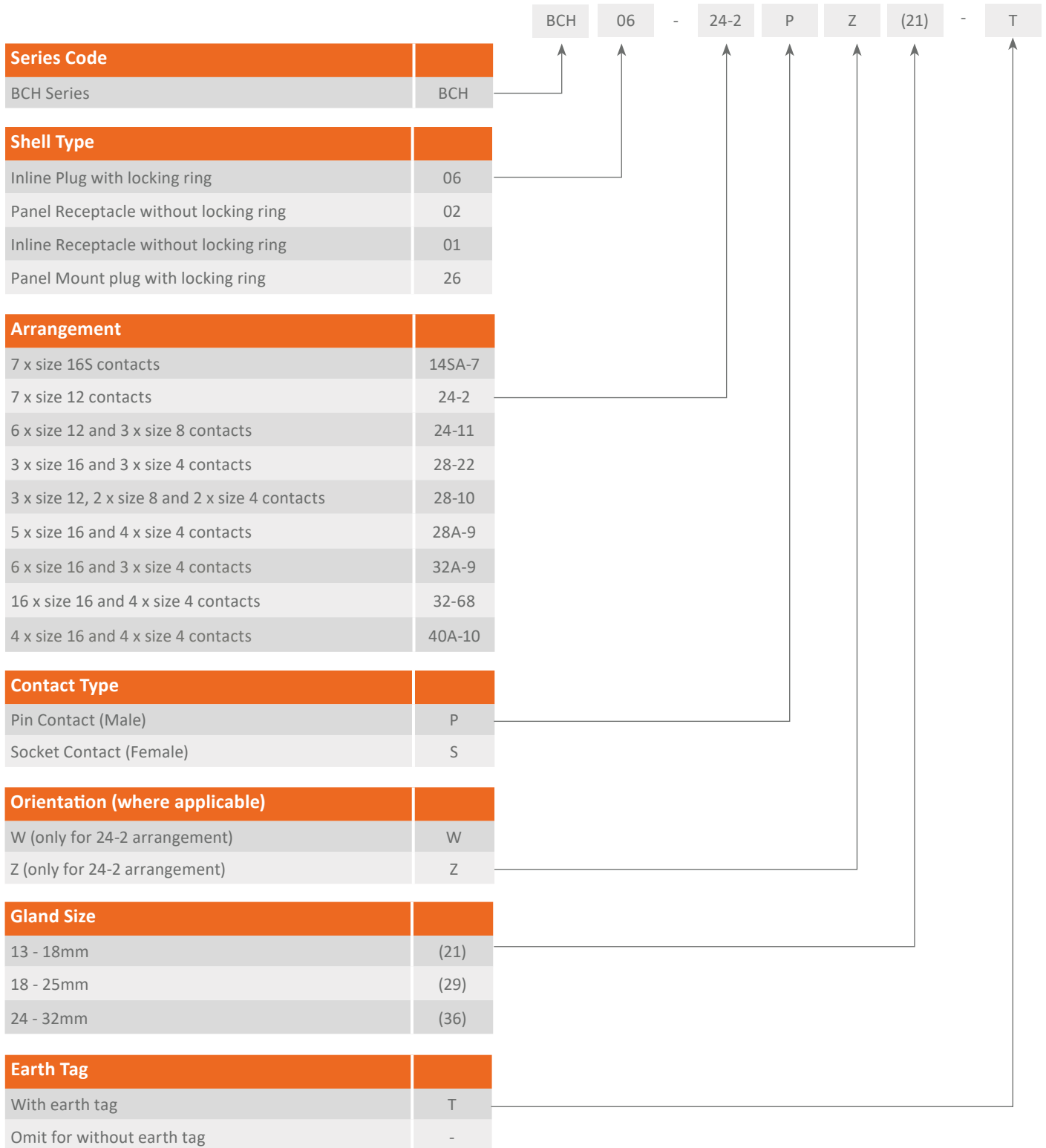


BCH02-24-2SW-T



Power Gems
575W/1.2kW /1.8kW
Ballast

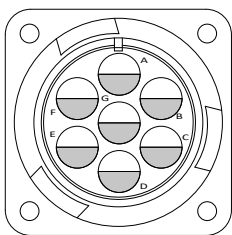
Part Number Explanation



Please note:

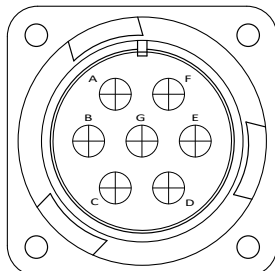
1. All connectors have a black finish and silver plated crimp contacts as standard.
2. Contact sales for connectors with solder contacts or glands for specific cable diameters outwith the above.

Connector Arrangement



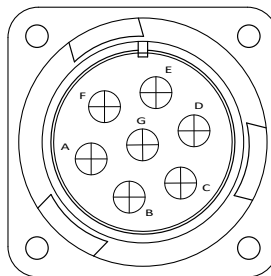
14SA-7

Used on:
ARRI / FILMGEAR
400W / 800W
K5600
200W / 400W / 800W



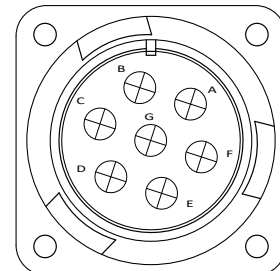
24-2

Used on:
ARRI / FILMGEAR / K5600
2.5kW/4kW
DESISTI / QUARTZCOLOR
MOLE RICHARDSON
2.5kW



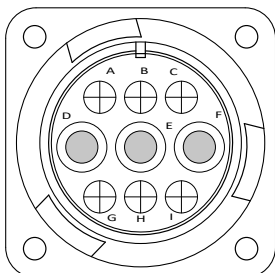
24-2W

Used on:
ARRI / FILMGEAR
575W / 1.2kW / 1.8kW
DESISTI / QUARTZCOLOR
MOLE RICHARDSON / CINEMILLS
1.2kW



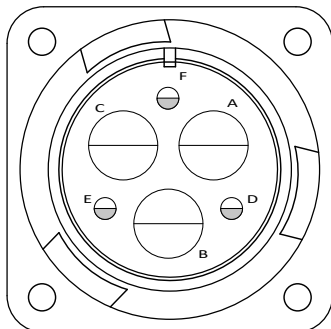
24-2Z

Used on:
DESISTI / QUARTZCOLOR
MOLE RICHARDSON
575W



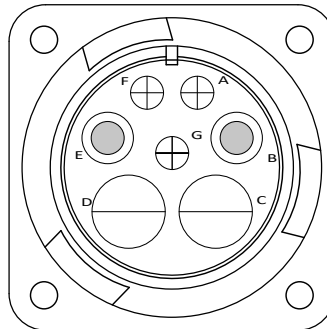
24-11

Used on:
DESISTI / QUARTZCOLOR
MOLE RICHARDSON
4kW



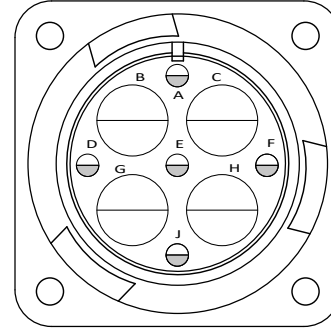
28-22

Used on:
ARRI / FILMGEAR / K5600
6kW/9kW



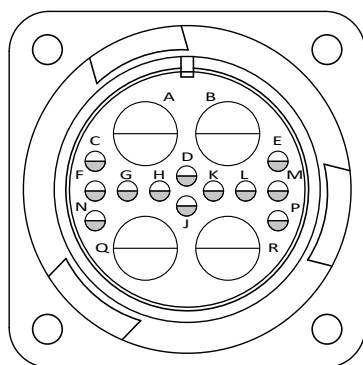
28-10

Used on:
CINEMILLS
12kW
MOLE RICHARDSON
12kW/18kW/24kW



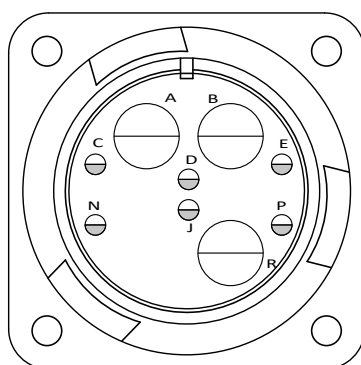
28A-9

Used on:
K5600
18kW
ARRI / FILMGEAR
12kW/18kW/24kW



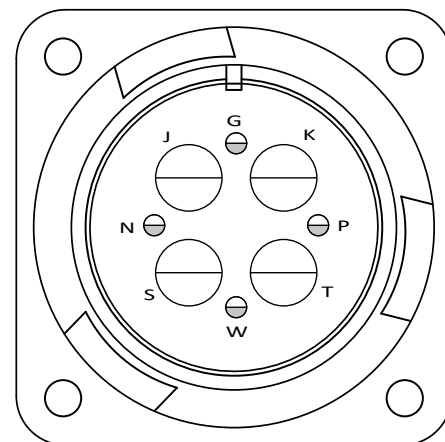
32-68

Used on:
CINEMILLS / MOLE RICHARDSON
QUARTZCOLOR
6kW



32A-9

Used on:
DESISTI
6kW/12kW/18kW



40A-10

Used on:
QUARTZCOLOR
12kW/18kW

Cineline Connectors Assembly Tools

Contact Size	Crimp Tool	Turret Locator	Insertion Tool	Male Contact Removal Tool	Female Contact Removal Tool	Female Contact Guide Pin
16	8780 0004 61	*NA	CTIN784-16	CTES784	CTES784	GP784-16
12	8780 0004 61	*NA	CTIN784-12	CTES784	CTES784	GP784-12
8	HT45 E	See table 1	CTIN784-8	CTES784-8P	CTES784-8S	-
4	HT45 E	See table 1	CTIN784-4	CTES784-4P	CTES784-4S	-

* Crimp tool supplied with turret locator

Table 1

Conductor Size	Die Code
4-6mm ²	Consult sales office
10mm ²	ME5
16mm ²	ME5
25mm ²	ME5





Unit 2B Frances Industrial Park
Kirkcaldy, Scotland, UK
KY1 2XZ

Tel: +44 (0)1592 655725
Email: sales@ten47.com

www.ten47.com