



Speaker Connectors

PA-COM | Tourline 25 Way



PA-COM Speaker Connectors



PA-COM Speaker Connectors

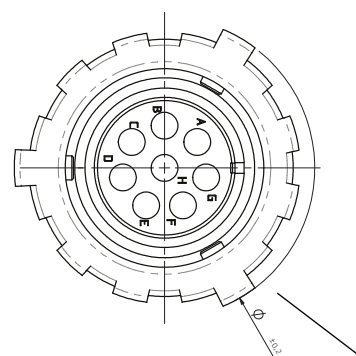
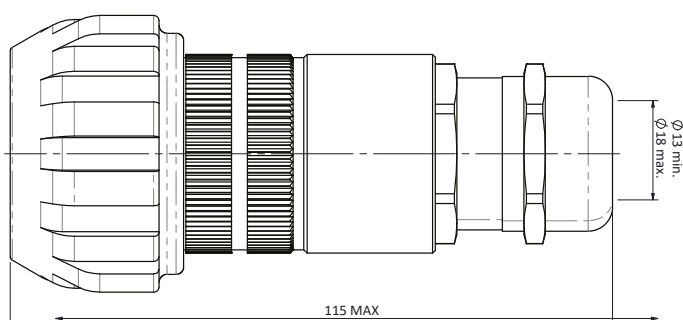
These connectors use the industry standard **8 pin and 19 pin** configuration for speaker array connections and are fully intermateable with CA-COM connectors, commonly used by many loudspeaker manufacturers. Directly derived from a reliable and rugged military standards (Mil C 5015 & VG 95234), and are supplied as standard with the rubber covered coupling rings and with solder contacts.

The **PA-COM series**, ensure long term reliability through the robust construction and addresses the short comings of the more traditional Industrial and Military connectors when used in touring applications.

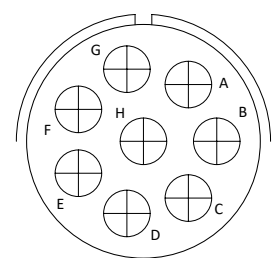
Key Features

- Crimp or solder contacts for up to 4mm² wire
- IP67 grade waterproof (when mated) for outdoor applications
- Metal shells and rubber covered coupling rings with increased wall sections to improve impact resistance
- Fast and reliable bayonet locking of the coupling nut under vibration or shock conditions
- Minimum 500 matings
- Aluminium alloy shells with a hard wearing black finish

8 Way - Inline Plug Connector



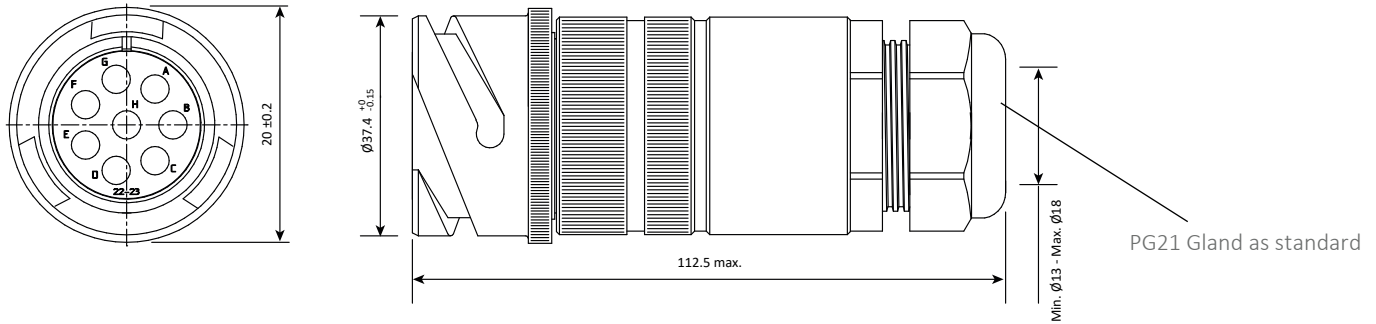
Arrangement 22-23



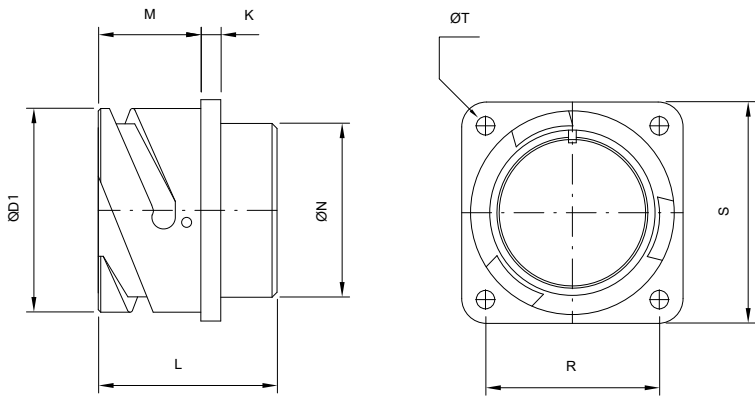
PG21 Gland as standard

PA-COM Speaker Connectors

8 Way - Inline Receptacle Connector

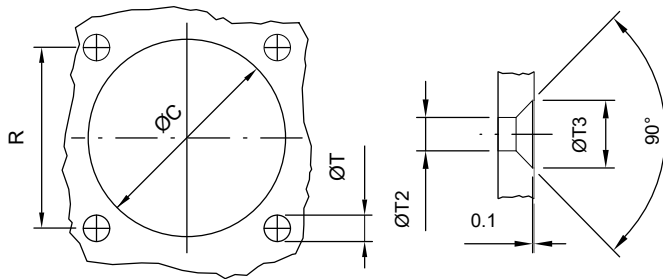


8 Way - Panel Receptacle Connector



Pin Nr.	8
ØD1 +0 / -0.15	37.4
K ±0.2	4
L ±0.3	34.3
M +0.4 / -0	19
ØN Max	32.2
R ±0.1	31.8
S ±0.3	41
ØT H13	3.1

Panel Cut Out Dimensions



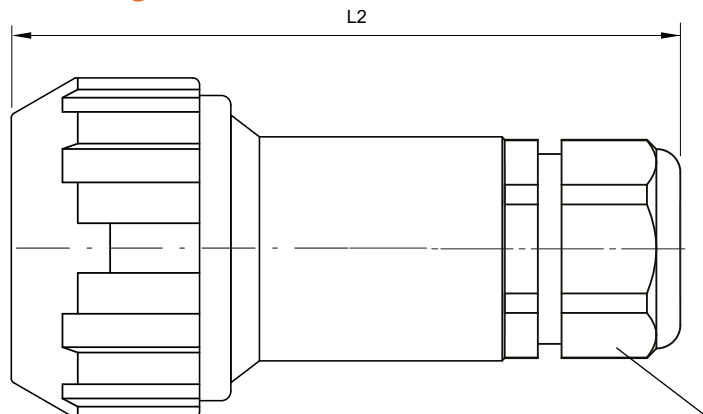
Shell Size	22
R ±0.1	31.75
ØC ±0.2	33
ØT Through holes	7.4
ØT2 Countersunk holes	3.2
ØT3 Countersunk holes	6.5

Dimensions in mm

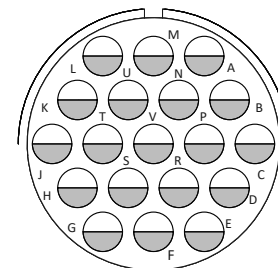


PA-COM Speaker Connectors

19 Way - Inline Plug Connector

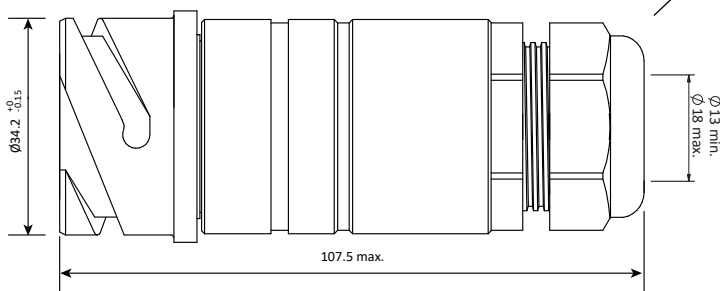


Arrangement
20A48

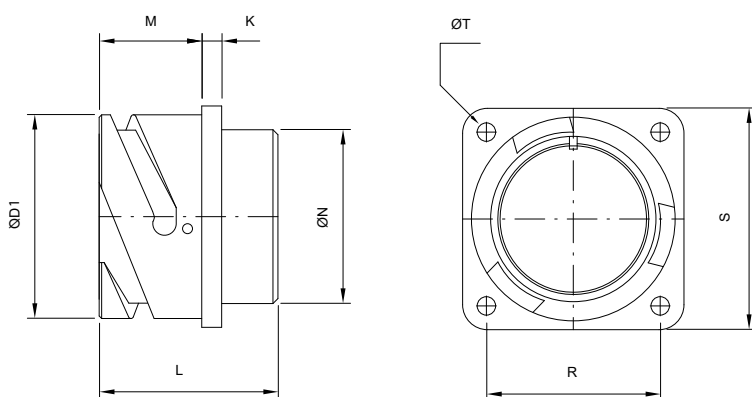


PG21 Gland as standard

19 Way - Inline Receptacle Connector

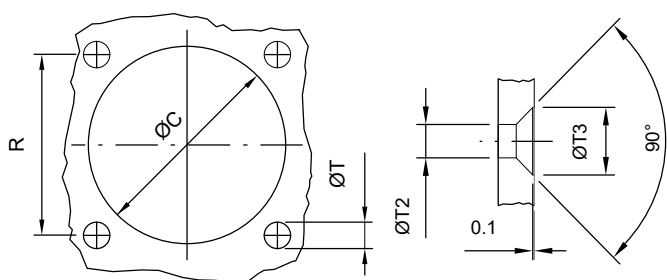


19 Way - Panel Receptacle Connector



Pin Nr.	19
$\theta D1 +0 / -0.15$	34.2
$K \pm 0.2$	4
$L \pm 0.3$	34.3
$M +0.4 / -0$	19
$\theta N \text{ Max}$	28.8
$R \pm 0.1$	29.4
$S \pm 0.3$	38.1
$\theta T \text{ H13}$	3.1

Panel Cut Out Dimensions

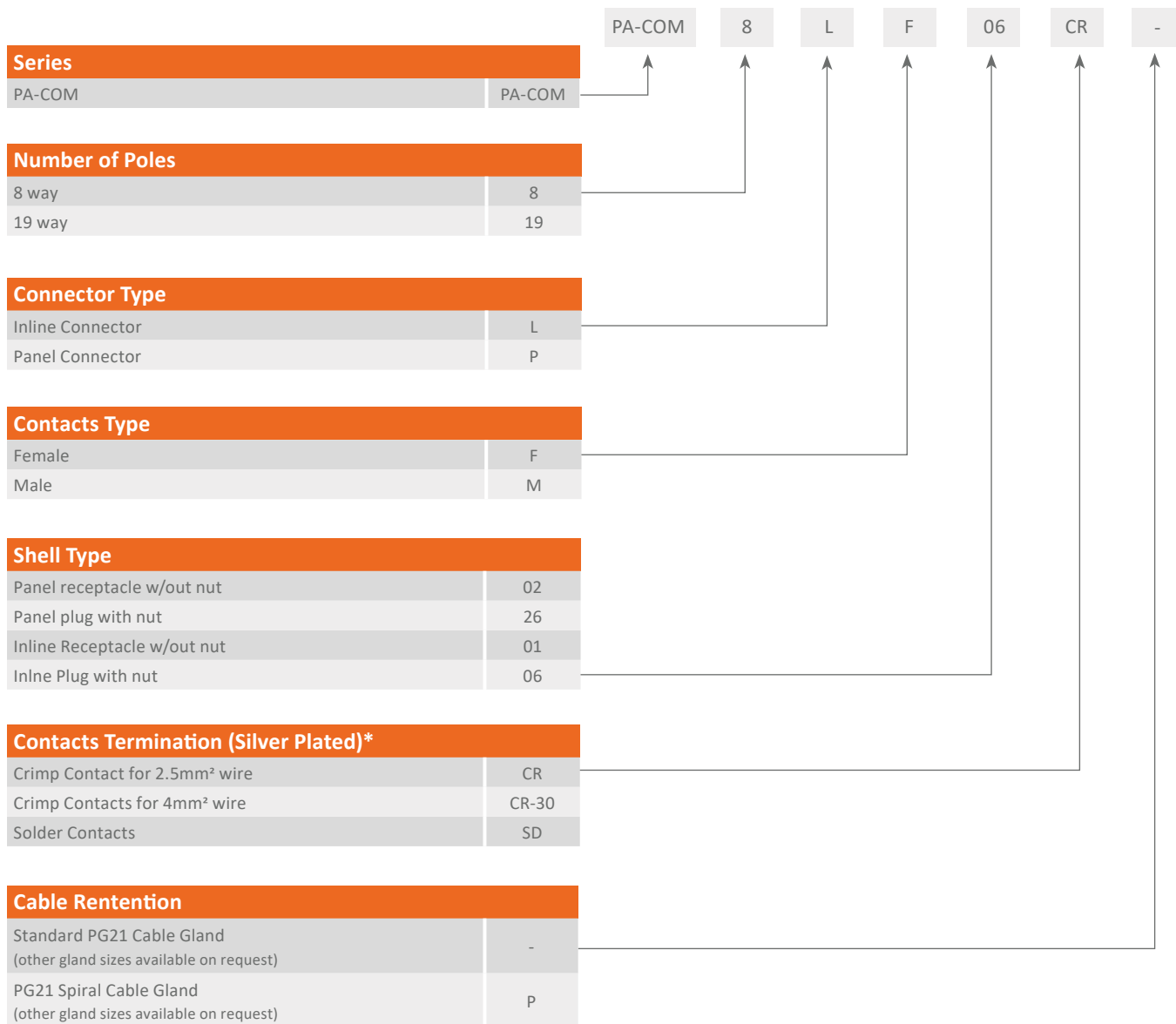


Shell Size	20
$R \pm 0.1$	29.4
$\theta C \pm 0.2$	30
θT Through holes	4.5
$\theta T2$ Countersunk holes*	3.2
$\theta T3$ Countersunk holes*	6.5

Dimensions in mm

PA-COM Speaker Connectors

Part Number Explanation



* Contacts are also available with gold plating, contact sales office for more information.

Electrical Data - 8 Way

Contact Size	Maximum Current (A)	Rated Current (A)	Max. Voltage Drop (mV)	Rated Voltage Drop (Vac)	Rated Voltage (Vdc)
12	41	23	42	500	700

Electrical Data - 19 Way

Contact Size	Maximum Current (A)	Rated Current (A)	Max. Voltage Drop (mV)	Rated Voltage Drop (Vac)	Rated Voltage (Vdc)
16	22	13	49	200	250

Tourline 25 Way Speaker Connectors



Size 32 - 25 Way
Inline Plug Male



Size 32 - 25 Way
Inline Receptacle Female

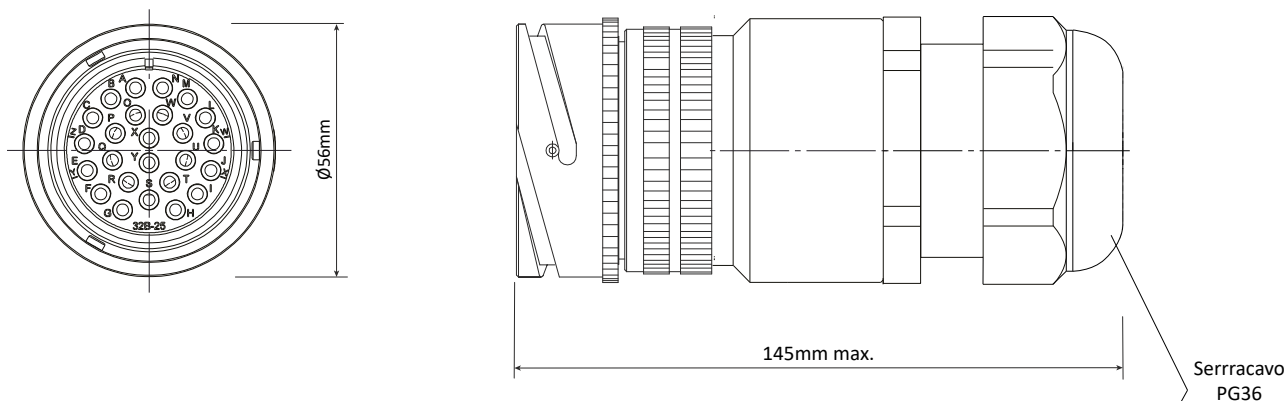
Tourline 25 Way Speaker Connectors

Tourline Size 32, 25 way multipin connectors for speaker applications designed to connect up to 12 channel line array systems in a single housing. Adopted by some of the world's leading speaker manufacturers, these connectors are based on our popular Tourline series and are manufactured to ensure continual and reliable operation in the harsh environment of professional sound applications. Directly derived from a reliable and rugged military standards (Mil C 5015 & VG 95234).

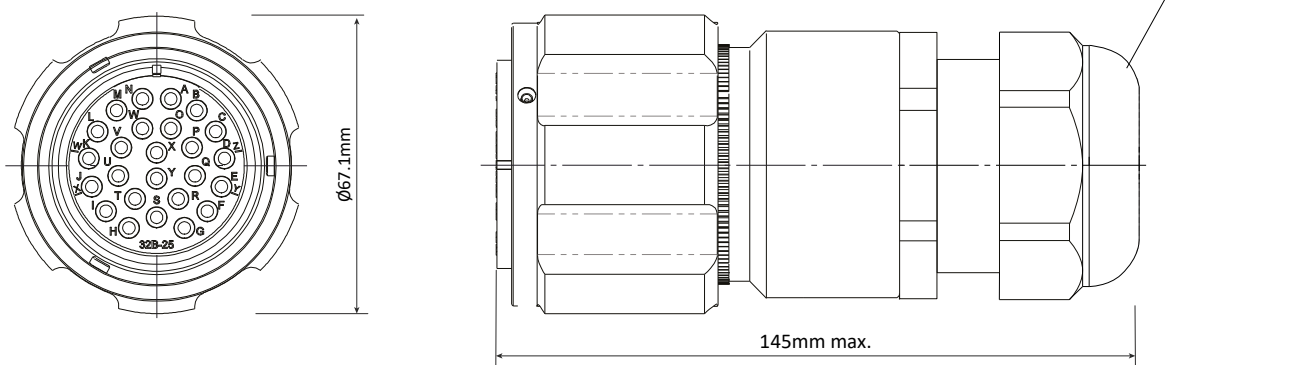
Key Features

- Crimp or solder contacts for up to 4mm² wire
- IP67 grade waterproof (when mated) for outdoor applications
- Metal shells and coupling rings with increased wall sections to improve impact resistance
- Fast and reliable bayonet locking of the coupling nut under vibration or shock conditions

Size 32 - 25 Way Inline Receptacle Connector

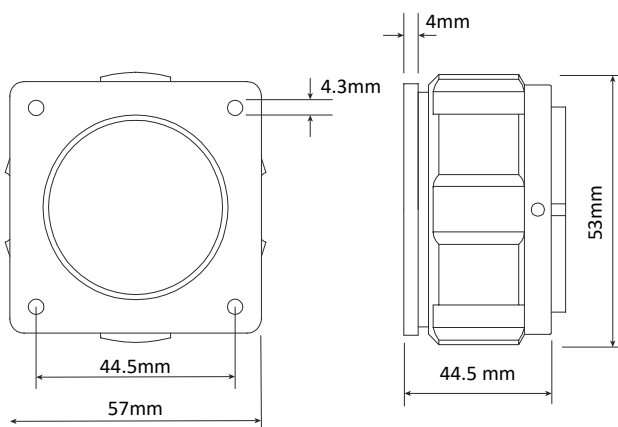
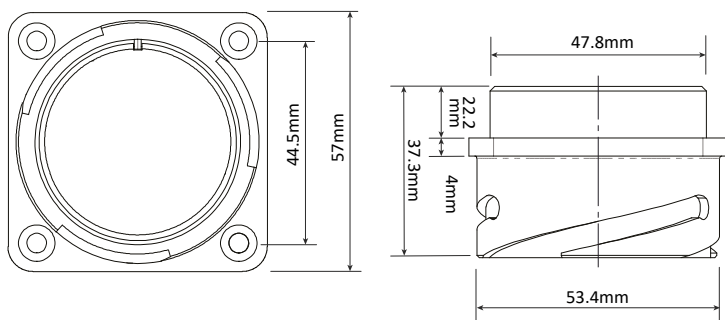


Size 32 - 25 Way Inline Plug Connector

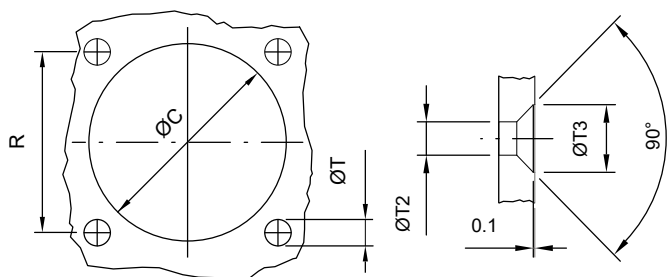


Size 32 - 25 Way Panel Receptacle Connector

Size 32 - 25 Way Panel Plug Connector



Panel Cut Out Dimensions



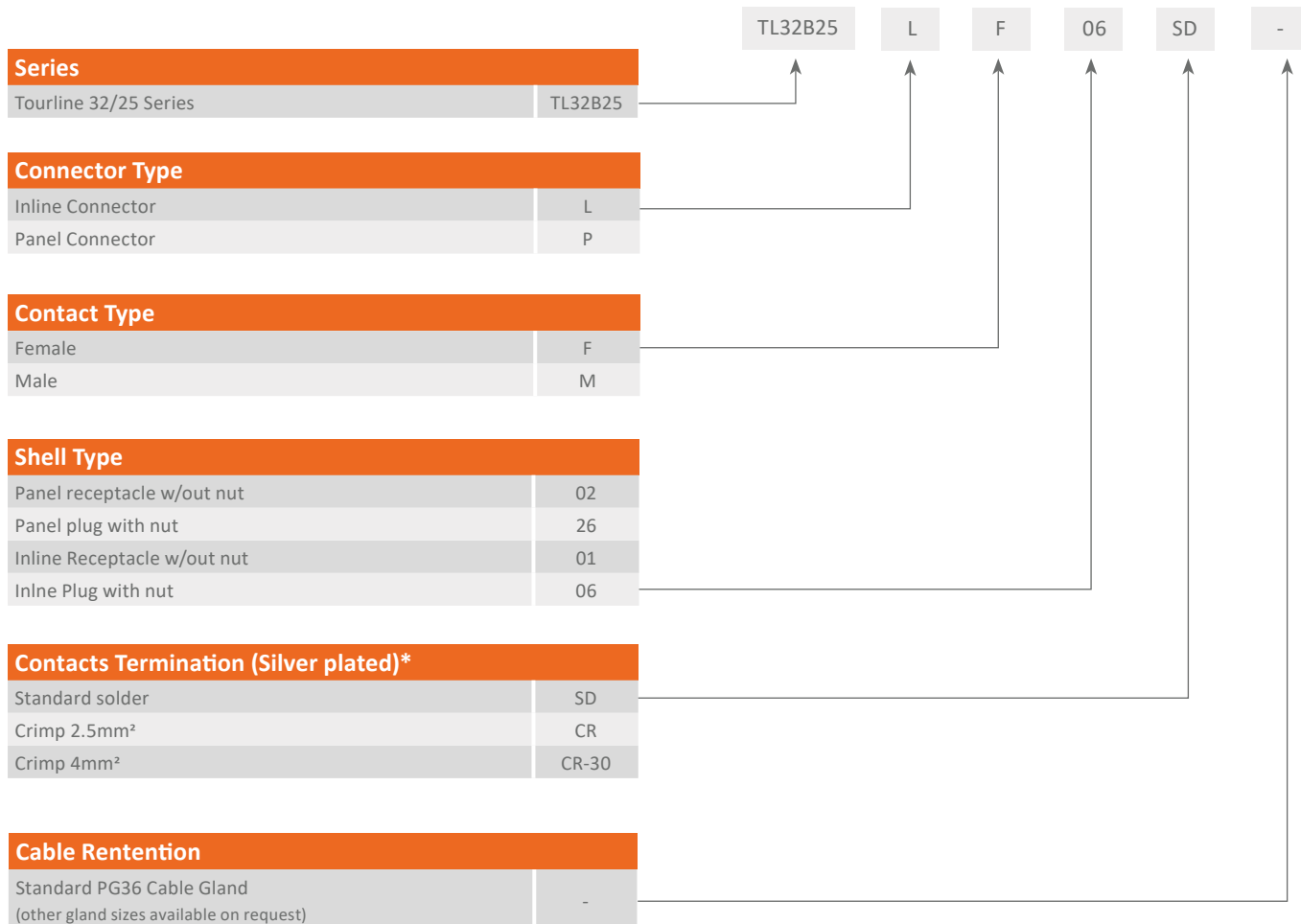
Shell Size	R ±0.1	ØC ±0.2	ØT Through holes	ØT2 Countersunk holes*	ØT3 Countersunk holes*
32	44.5	48.5	4.4	4.3	8

* Panel receptacles only

Dimensions in mm

Tourline 25 Way Speaker Connectors

Part Number Explanation



* Contacts are also available with gold plating, contact sales office for more information.

Electrical Data

Contact Size	Maximum Current (A)	Rated Current (A)	Max. Voltage Drop (mV)	Rated Voltage Drop (Vac)	Rated Voltage (Vdc)
12	41	23	42	500	700



Unit 2B Frances Industrial Park
Kirkcaldy, Scotland, UK
KY1 2XZ

Tel: +44 (0)1592 655725
Email: sales@ten47.com

www.ten47.com